



Neuenhauser® Targo 3000 Shredder

Technical Specification

Rev 2 01/2017



Neuenhauser® Targo 3000

Shredder

Specification		
		Targo 3000
Total Weight		66,138 lbs
Transport	Length	25' 6"
	Width	9' 9"
	Height	11' 2"
Working (at 35°)	Length	39' 8"
	Width	9' 9"
	Height	10' 8"
Roller		9' 10" x 24"
Powerunit		Direct drive

Features

- High capacity 80tph (depending on feed size, mesh size and material type)
- Hydraulically secured counter comb to protect from damage at contamination
- Adjustable gap between shaft and counter comb for constant shredding
- Screw mounted shredder shaft teeth & comb teeth
- Counter comb folds up hydraulically for increased maintenance access
- Direct drive engine with full torque reverse function
- Engine and shredder shaft star independently
- Extra long discharge conveyor for larger stockpiling and direct loading of trucks
- Lift up wing gulley doors on both sides of powerunit for optimum access
- Central lubrication points
- Continuous automatic control of the drum speed and hopper belt speed
- Optional wireless remote control
- Optional remote start/ stop
- Self cleaning drum cleaning brushes



All specification subject to change without prior notice

Neuenhauser® Targo 3000

Shredder

Hopper

- Capacity: 6 yds³
- Loading height: 9' 6"
- Width: 12' 2"
- Depth: 7' 6"
- Performance: up to 80 tph (*depending on the material*)
- Lined with wear resistant sheets



Shredding Shaft

- Length: 9' 10"
- Diameter: 24"
- Comb teeth: 22 screw mounted
- Roller teeth: 21 screw mounted
- Speed: 31rpm
- Type: Single shaft
- Adjustable gap between shaft and counter comb
- Hydraulically secured counter comb
- Replaceable wear plates



Shaft Options

- Roller teeth: 42 screw mounted
- Comb teeth: 22 screw mounted
- Speed: 31rpm
- Shaft length: 9' 10"



Neuenhauser® Targo 3000

Shredder

Powerunit

- Engine: John Deere diesel direct drive
- Performance: 395 kW/ 530 HP
- Emissions: Tier 4
- Cylinders: 6 cylinder water-cooled engine
Turbo-loaded with Air-to-air load cooling
- Radiator: Flexair reversible fan
- Air clear: Turbo pre cleaner
- Fuel tank: 132gal x 2 off
- Hydraulic tank: 53gal
- Wing gully powerunit door for ease of access
- Direct drive with reverse function

Discharge Conveyor

- Width: 48"
- Length: 19'
- Discharge height: 12' 10"
- Speed: 13.8ft/sec
- Belt Specs: L75 EP400/3 3+1.5
- Hydraulic Folding
- Antimagnetic mid section

Collection Conveyor

- Width: 48"
- Length: 11'
- Handover height: 11' 4"
- Speed: 8.5ft/sec
- Belt Specs: L75 EP 400/3 3+1.5 L30
- 1 piece belt to prevent spillage

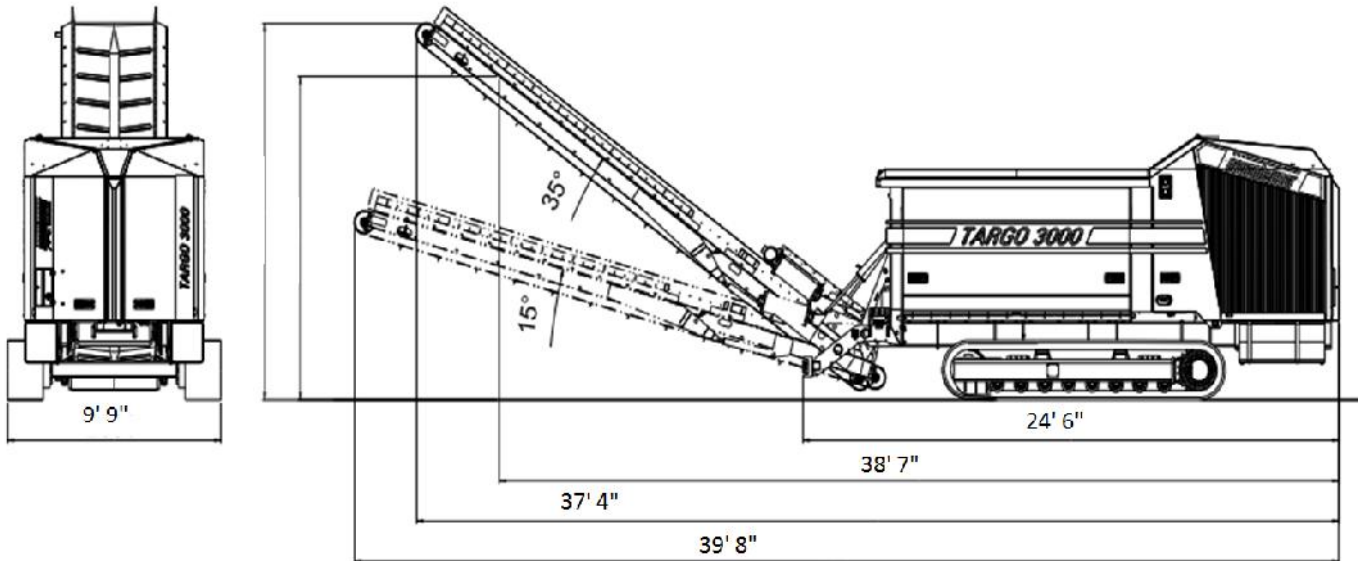


Neuenhauser® Targo 3000

Shredder

Dimensions

		Targo 3000
Total Weight		66,138 lbs
Transport	Length	25' 6"
	Width	9' 9"
	Height	11' 2"
Working (at 35°)	Length	39' 8"
	Width	9' 9"
	Height	10' 8"



All specification subject to change without prior notice