



Neuenhauser® 2F Wheel Starscreen

Technical Specification

Rev 2 01/17



Neuenhauser® 2F Wheel Starscreen

Star Screen

Specification

		2F Wheel
Total Weight		35,500 lbs
Transport	Length	44' 9"
	Width	8' 4"
	Height	13' 1"
Working	Length	49' 5"
	Width	17' 7"
	Height	13' 5"
Screen deck		22' 6" x 4' 1"
Powerunit		Diesel hydraulic drive

Features

- J High capacity (depending on feed size, mesh size and material type)
- J Wheel mounted unit with twin axle, 5th wheel tow
- J Emergency-shut off push button at control box and discharge belts
- J Electronic engine control and monitoring on LCD display
- J Hydraulically foldable discharge conveyors
- J Finesize conveyor 26"
- J Oversize conveyor width 48"
- J Feeding hopper approx. 10 yds³
- J Feed hopper is fitted a ripped drive belt to eliminate belt slippage
- J Central lubrication points with optional self greaser
- J Wireless remote control
- J Optional remote start/ stop



Neuenhauser® 2F Wheel Starscreen

Star Screen

Hopper

Capacity: 9.8yds³

Loading height: 9' 6"

Feed regulating auger

Screen Size

Length : 22' 6"

Height : 4' 1"

Screen area: 93ft²

Speed : Variable 0 – 230 RPM

Star size : 170, 230, 287, 300mm
(6.8", 9.1", 11.3", 11.8")

Star options: Rubber, polyurethane & self cleaning stars

Quick change modular deck

Powerunit

Engine: John Deere diesel hydraulic drive

Performance: 93 kW/ 130 HP @ 2200rpm Tier 4 final

Cylinders: 4 cylinder water-cooled engine
Turbo-loaded with Air-to-air load cooling

Capacity: 4.5 Liter

Radiator: Flexair reversible fan

Air clear: Turbo 2 cleaner

Maintenance: Full maintenance platform

Fuel tank: 80gal



Neuenhauser® 2F Wheel Starscreen

Star Screen

Hydraulics:

Danfoss hydraulic motors

Steel hydraulic lines

Variable speed belts and star deck

PLC / Control

Programmable controls

Recipe optimisation

Wireless remote control

Discharge Belts

Vulcanized belts

Over Size Conveyor

Width: 48"

Discharge height: 13' 6"

Stockpile capacity: 230yd³

Speed: Variable

Fines Conveyor

Width: 26"

Discharge height: 13' 6"

Stockpile capacity: 230yd³

Speed: Variable



Neuenhauser® 2F Wheel Starscreen

Star Screen



Hopper:

4" Hydraulic tipping grid

4" Vibrating grid

Material spill plate



Hopper:

4" Vibrating grid



Star Deck

3F (additional deck)

Star size : 170, 230, 287, 300mm
(6.8", 9.1", 11.3", 11.8")

Star options: Rubber, polyurethane & self cleaning stars



Windshifter

Used to remove fines& lights

Retrofit kit

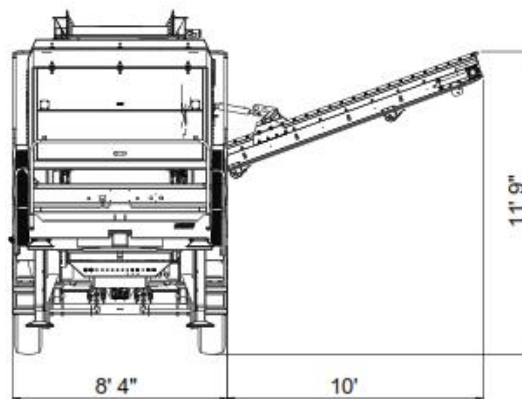
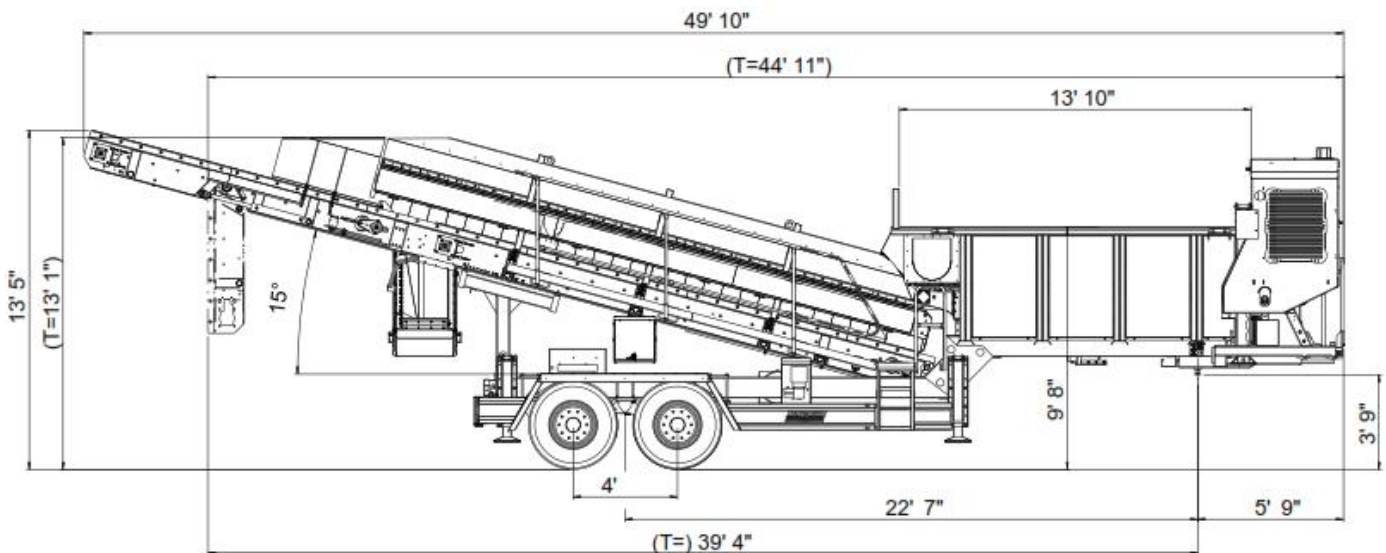


Neuenhauser[®] 2F Wheel Starscreen

Star Screen

Dimensions

		2F Wheel
Total Weight		35,500 lbs
Transport	Length	44' 9"
	Width	8' 4"
	Height	13' 1"
Working	Length	49' 5"
	Width	17' 7"
	Height	13' 5"



All specification subject to change without prior notice