

Neuenhauser® 3F Wheel Starscreen

Technical Specification

Rev 2 01/17



Neuenhauser® 3F Wheel Starscreen

Star Screen

Specification

		3F wheel
Total Weight		48,500 lbs
Transport	Length	44' 9"
	Width	8' 4"
	Height	13' 1"
Working	Length	52' 5"
	Width	35' 2"
	Height	14' 4"
Screen deck		22' 6" x 4' 1"
Powerunit		Diesel hydraulic drive

Features

-) High capacity (depending on feed size, mesh size and material type)
-) Heavy duty tracks
-) Emergency-shut off push button at control box and discharge belts
-) Electronic engine control and monitoring on LCD display
-) Hydraulically foldable discharge conveyors
-) Fines conveyor width 36"
-) Midsize conveyor width 36"
-) Feeding hopper approx. 10 yds³
-) Feed hopper is fitted a ripped drive belt to eliminate belt slippage
-) Central lubrication points with optional self greaser
-) Wireless remote control
-) Optional remote start/stop
-) Optional: Magnetic head drums, Auto greasing



All specification subject to change without prior notice

Neuenhauser® 3F Wheel Starscreen

Star Screen

Hopper

Capacity: 10yds³
 Loading height: 9' 6"
 Belt width: 40"
 Feed regulating auger with wear plates

Screen Unit

Fines Star Deck

Length : 22' 6" Width : 4' 1"
 Screen area: 93ft²
 Star size : 170, 230, 287, 300mm
 (6.8", 9.1", 11.3", 11.8")
 Star options: Rubber, polyurethane & self cleaning stars
 Quick change modular deck

Over Star Deck

Length : 12' Width: 4' 1"
 Screen area: 48ft²
 Speed : Variable 0 – 230 RPM
 Star size : 230, 287, 300mm
 (9.1", 11.3", 11.8")
 Star options: Rubber stars

Powerunit

Engine: John Deere diesel hydraulic drive
 Performance: 130 kW/ 173 HP @ 2200rpm Tier 4 final
 Cylinders: 6 cylinder water-cooled engine
 Turbo-loaded with Air-to-air load cooling
 Radiator: Flexaire reversible fan
 Air clear: Turbo 2 cleaner



Neuenhauser® 3F Wheel Starscreen

Star Screen

Hydraulics:

Danfoss hydraulic motors

Steel hydraulic lines

Variable speed belts and star deck

Control Panel

Programmable controls

Recipe optimisation

Wireless remote control



Discharge Belts

Vulcanized belts

Fines Conveyor (wide & longer belt as std)

Width: 36"

Discharge height: 11' 5"

Speed: Variable



Midsize Conveyor (wide & longer belt as std)

Width: 36"

Discharge height: 11' 5"

Speed: Variable



Neuenhauser® 3F Wheel Starscreen

Options



Hopper:

4" Hydraulic tipping grid

4" Vibrating grid

Material spill plate



Hopper:

4" Vibrating grid



Star Deck

3F (additional deck)

Modular quick change fines decks



Windshifter

Used to remove lights such as plastics

Hydraulically folding



Neuenhauser® 3F Wheel Starscreen

Options

Auto Greasing



Hopper:

- 4" Hydraulic tipping grid
- 4" Vibrating grid
- Material spill plate

Magnetic head drums



Hopper:

- 4" Vibrating grid



Star Deck

- 3F (additional deck)
- Star size : 170, 230, 287, 300mm
(6.8", 9.1", 11.3", 11.8")
- Star options: Rubber, polyurethane & self cleaning stars



Windshifter

- Used to remove fines & lights
- Retrofit kit

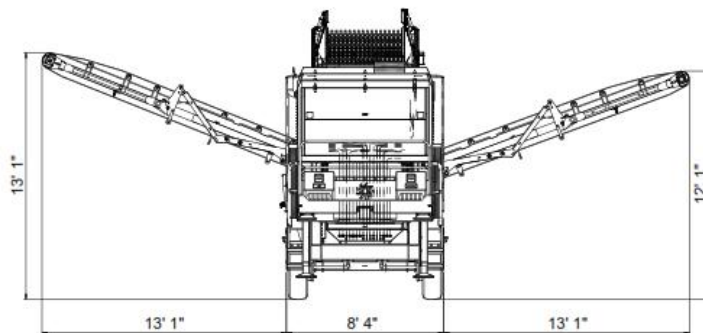
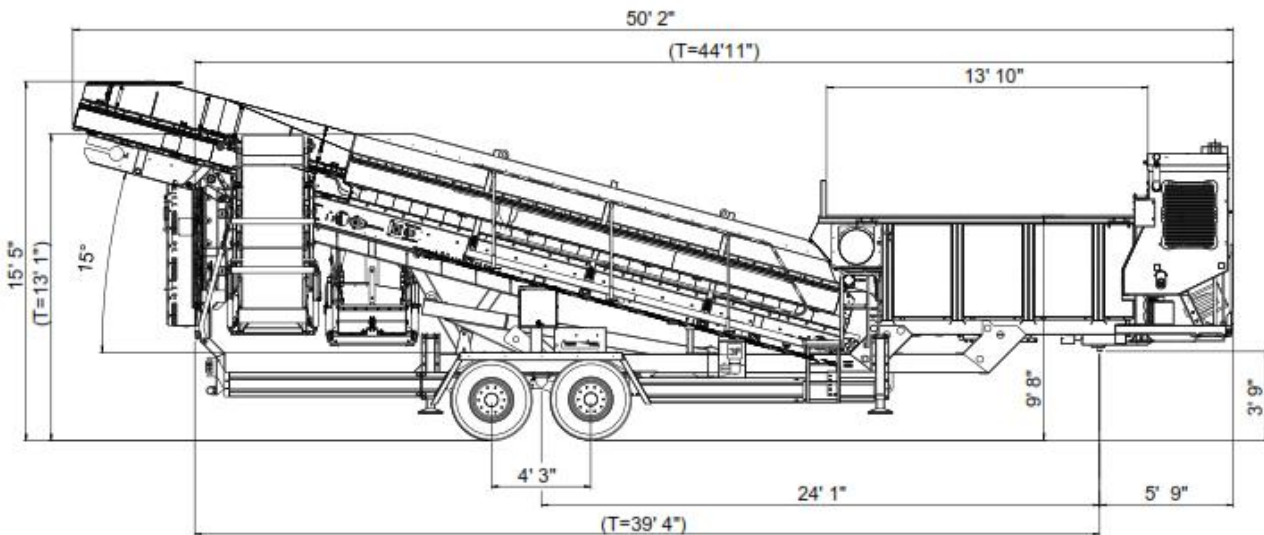


Neuenhauser® 3F Wheel Starscreen

Star Screen

Dimensions

		3F wheel
Total Weight		48,500 lbs
Transport	Length	44' 9"
	Width	8' 4"
	Height	13' 1"
Working	Length	52' 5"
	Width	35' 2"
	Height	14' 4"



All specification subject to change without prior notice